

CUTTING



MOUNTING



POLISHING



MICROSCOPY AND HARDNESS



# EVO 400

HIGH-CAPACITY CUTTING MACHINE



A robust, ergonomic, programmable,  
easy-to-use cutting machine.



A STRONG WORLDWIDE PRESENCE THROUGH SUBSIDIARIES AND MORE THAN 35 DISTRIBUTORS



# FUNCTIONS

## REF. 50400

**Width (closed screen)**  
1140mm

**Width (open screen)**  
1620mm

**Depth**  
1600mm

**Height (closed hood)**  
1910mm

**Height (open hood)**  
2380mm

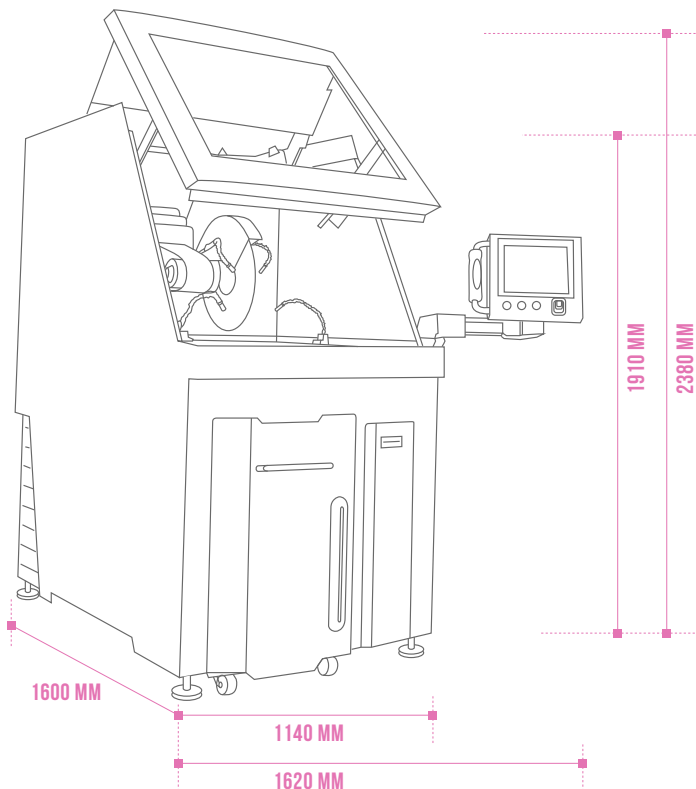
**Weight**  
750kg

**Conformity**  
EC

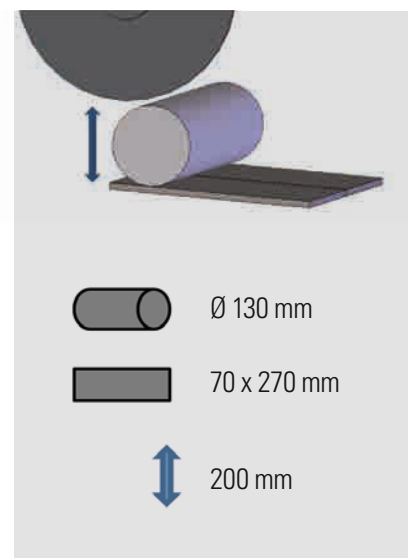
### EVO 400 cutting machine

EVO 400 brings a cutting solution for **large samples** (up to 200mm high and over 200kg).

This new machine, adapted to workshops, combines sturdiness and ease of use. It is programmable and allows repetitive cutting. It has been designed with ergonomics in mind with a motorized hood and touchscreen for easy operation.



### CUTTING ENVELOPE\*



\* This illustration of the cutting envelope of the EVO 400 is to show the maximum theoretical capacity only. The actual capacity in practice will depend on the sample geometry and its physical properties.

# OPERATIONS

## POWERFUL

Equipped with a **powerful motor**, EVO 400 offers different settings making cutting easier. Grinder rotation speed remains constant. The frequency controller boosts the power of the motor and allows tougher materials to be cut.

**High cooling capacities** mean that you get high cutting speeds without the risk of burns.

## ERGONOMIC

EVO 400 is equipped with a **motorized hood**, leaving sufficient working space for parts to be loaded by lifting. The transparent cover and interior LED lighting provide great visibility.

EVO 400 also has a **cutting wheel locking system**, meaning discs can be changed quickly and easily.

## INTUITIVE

EVO 500 is intuitive with its **multilingual color touchscreen interface**.

## PRECISE

Thanks to its **positioning laser** (option), the positioning of parts to be cut can be done quickly and optimally.

## EASY TO MAINTAIN

Maintenance and cleaning of EVO 400 are made easy because of its interior design and its **integrated cleaning kit**.

## ENSURES OPERATOR SAFETY

Both of the operator's hands are needed with the hood up to move the motorized axes to ensure safety.

## T600 X 600MM TABLE

Equipped with a 600 x 600 mm table, it can cope with very large parts weighing up to 200kg. The T-slotted multipurpose deck (12mm) can adapt to all clamping systems available on the market.

As an option, a manual transversal deck (axis X) allows easy side adjustment of the part and cutting of parallel sections. A manual longitudinal table (axis Y) is also available as an option and increases cutting capacity.

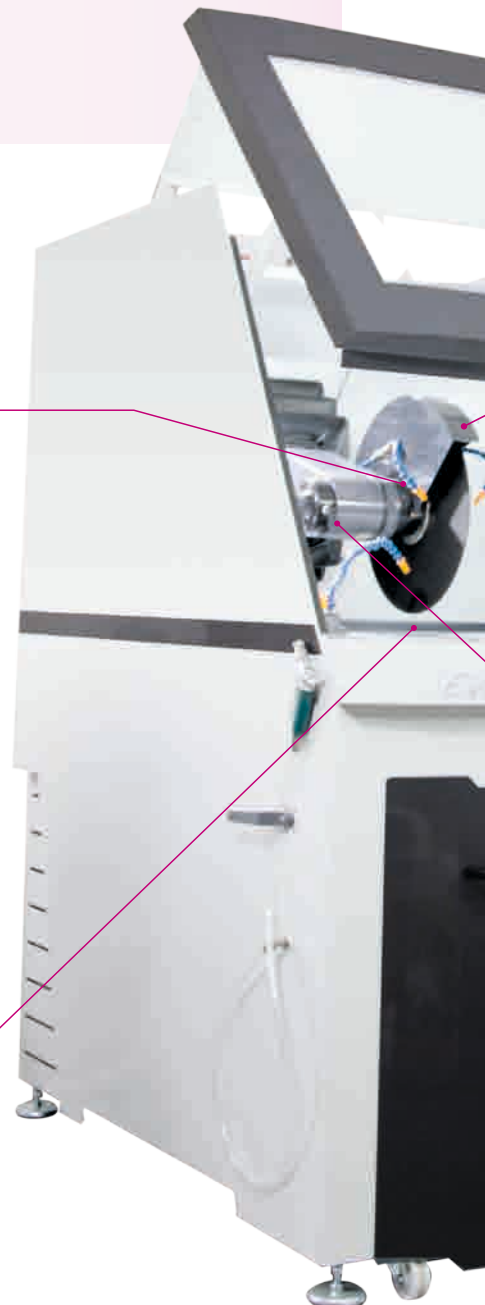
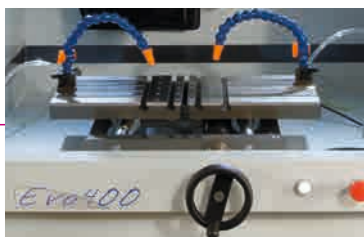
## LUBRICATION NOZZLES



## MANUAL TRANSVERSAL TABLE AXIS X (OPTIONAL)



## MANUAL LONGITUDINAL TABLE AXIS Y (OPTIONAL)



## CUTTING MODES

### POWER-ASSISTED

In this mode, the user directly pilots the descent of the grinder using the gearstick. This means the descent speed can be varied up to a pre-programmed maximum. This means the descent speed can be varied up to a pre-programmed maximum which allows for effort-free manual cutting.

### AUTOMATIC

The machine cuts automatically according to parameters defined by the operator on the touchscreen. During the cutting operation, these parameters can be adjusted.

### PROGRAMMABLE

The user cuts according to pre-programmed parameters, secured by password.

## SETTINGS

### PULSED

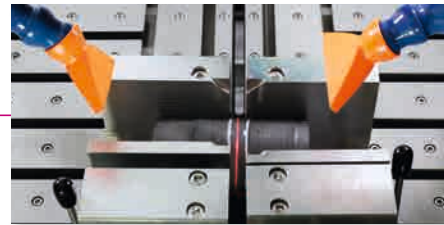
In automatic and programmable modes, during difficult cutting operations, it is possible to use the pulsed setting on axis Y or Z. This improves part and disc cooling.

### AUTOMATIC PROGRESS

In the 3 cutting modes, and if necessary, the automatic feed regulator limits the speed of movement of the motorized axes when cutting stresses are too great. This regulation protects the consumable and optimizes the surface condition of the cut.



### POSITIONING LASER (OPTIONAL)



### JOYSTICK CONTROL



### CUTTING WHEEL LOCKING SYSTEM



# CHARACTERISTICS

HOOD	
Type	Metal frames & PETG Motorized opening and closing
Safety	Locked during motor rotation
Fumes extraction outlet	76mm
MOTORIZATION-POWER SUPPLY	
Power	7500 W
Power supply	380 V / Three-phases / 50 Hz
Control of the motor	Frequency control
CUT-OFF WHEELS	
Type of cutting disk	Resinoid & diamond
Size of cutting disk	Up to 400mm
Rotation speed	1,000 to 3,000 RPM
Shaft diameter	32mm
CONTROL	
Control interface	Color touchscreen
Code protection	Can be activated
Programmable	Up to 100 password-protected programs
Communication interface / Machine control	Modbus
CUTTING	
Cutting method	Assisted, automatic, programed, by impulse
Cutting regulation	Movement of the arm according to motor load
Axis Y travel	Option: manual table 600 x 300 travel 300mm*
Axis X travel	Option: manual table 400 x 600 travel 200mm*
Axis Z travel	320mm
Table dimensions	600 x 600mm
Positioning laser	Option
Distance between cut-off wheel and table	200mm
Type of table	Treated Aluminum table, interchangeable stainless steel palettes
Holders	Slotted T table (12mm) accepting all clamping systems available on the market
LUBRICATION - COOLING	
Pump & tank	External - 200 L
Type of lubrication	Pump
Method of directing pumped coolant	Cutting disk housing and 2 mobile sprinklers on the table
Type of filtration	100 µm washable textile filter
ERGONOMICS	
Internal lighting	LED
Spray nozzle for cleaning	Integrated
CONFORMITY	
Conformity	EC

\* Customizable tables and stroke lengths.



# ACCESSORIES

## Vices and Holders

### 50510

Left and right quick clamping vices  
Height 70mm

### 50911

Left and right quick clamping vices  
Height 90mm

### 50906

Left and right quick clamping vices  
Height 45mm

### 50905

Left quick clamping vice  
Height 45mm

### 50909

Right quick clamping vice  
Height 45mm

### 50617

Chain clamp

### 50613

Box of Kopal holders

### 50616

Kopal holding

### 50902

Left and right screw clamping vices  
Height 45mm

### 50901

Left screw clamping vice  
Height 45mm

### 50903

Right screw clamping vice  
Height 45mm

## Other accessories

### 50370

Kit of V positioning supports



REF. 50510 - 50911



REF. 50906



REF. 50905



REF. 50909



REF. 50617



REF. 50613



REF. 50616



REF. 50902



REF. 50901



REF. 50903



REF. 50370

# CONSUMABLES

## RESINOID CUT-OFF WHEELS

REF.	DESIGNATION	DIAMETER	HARDNESS	MATERIALS
01029	Ref. A abrasive Al <sub>2</sub> O <sub>3</sub> (ferrous materials)	Ø 400 x 3 x 32mm	100 - 350 Hv	Low carbon, mild and extra mild and treated steels with medium cross-sections
01027	Ref. A0 abrasive Al <sub>2</sub> O <sub>3</sub> (ferrous materials)	Ø 400 x 3 x 32mm	300 - 500 Hv	Treated steels, stainless steels, refractory metals, alloyed cast irons
01028	Ref. MNF abrasive SiC (non ferrous materials)	Ø 400 x 3 x 32mm	30 - 350 Hv	Aluminium, copper and alloys, non ferrous metals, titanium and alloys
01034	Ref. S abrasive Al <sub>2</sub> O <sub>3</sub> (ferrous materials)	Ø 400 x 3 x 32mm	450 - 700 Hv	Treated steels, with fragile coatings, diffi cult materials

# OTHER PRESI EQUIPMENT...

## CUTTING



Mecatome ST 310

## MOUNTING



Poly'Vac

## POLISHING



Mecatech 334

## HARDNESS TESTING



PRESI View

## CONSUMABLES



Resins



FIND OUT MORE AT  
**WWW.PRESI.COM**

38320 Brié et Angonnes - Grenoble - France.  
Tel. 33 (0)4 76 72 00 21. Fax 33 (0)4 76 72 05 84. E-mail: presi@presi.com

